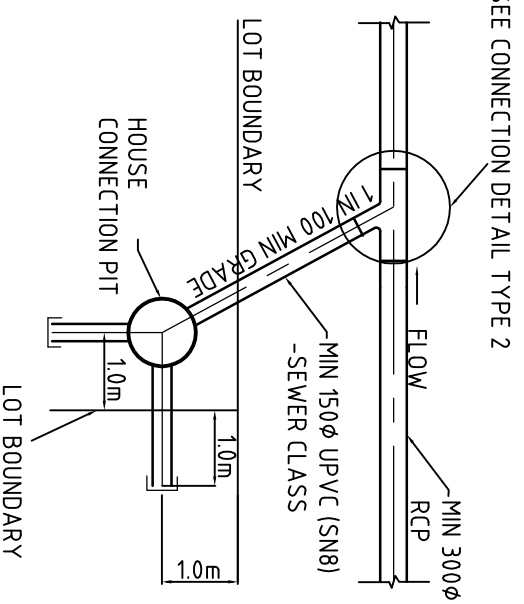
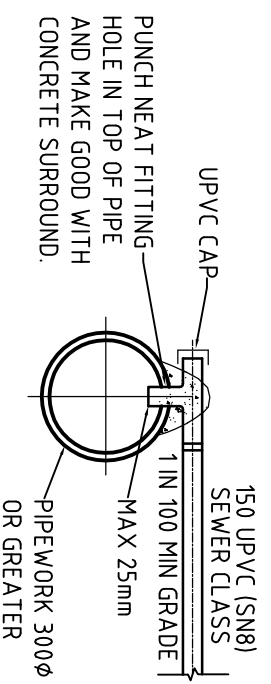


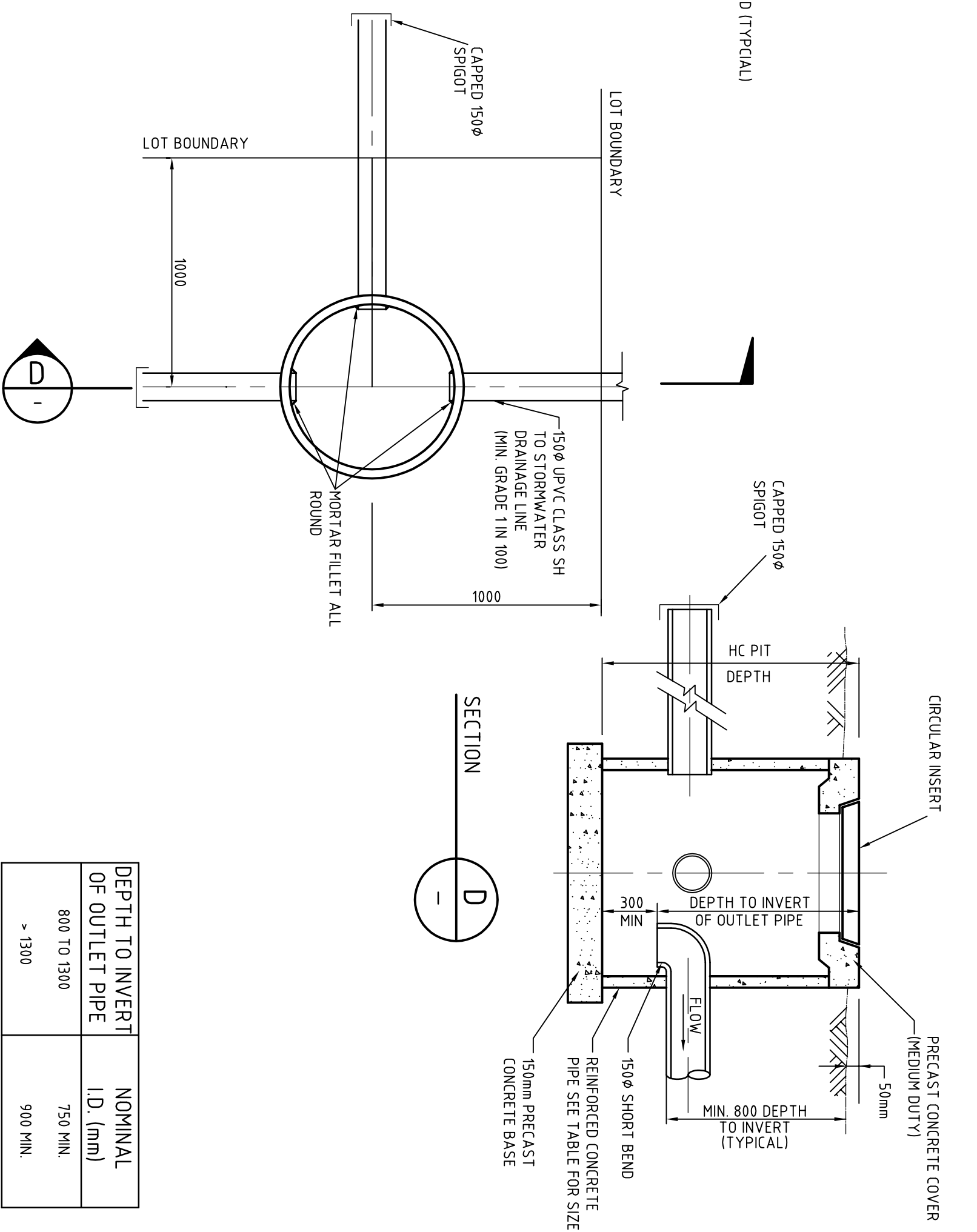
PLAN (TYPICAL) TYPE 1



CONNECTION TYPE 2




CONNECTION DETAIL TYPE 2



TYPICAL LOT CONNECTION

DEPTH TO INVERT OF OUTLET PIPE	NOMINAL I.D. (mm)
800 TO 1300	750 MIN.
> 1300	900 MIN.

STANDARD DRAINAGE



**shire of
kalamunda**

DEPARTMENT OF ENGINEERING SERVICES

TITLE: STANDARD DRAINAGE

DRN: G LAWRENCE

APPROVED: [Signature]

DATE: 31/07/2006

SCALE: NOT TO SCALE

DWG NO: SHEET 2/30